



Vestil Manufacturing Corp.

2999 North Wayne Street, P.O. Box 507, Angola, IN 46703

Telephone: (260) 665-7586 -or- Toll Free (800) 348-0868

Fax: (260) 665-1339

Web: www.vestilmfg.com e-mail: info@vestil.com

PRCT-HD SERIES PANEL CARTS INSTRUCTION MANUAL



Receiving Instructions

After delivery, remove the packaging from the product. Inspect the product closely to determine whether it sustained damage during transport. If damage is discovered, record a complete description of it on the bill of lading. If the product is undamaged, discard the packaging.

NOTE: The end-user is solely responsible for confirming that product design, use, and maintenance comply with laws, regulations, codes, and mandatory standards applied where the product is used.

Technical Service & Replacement Parts

For answers to questions not addressed in these instructions and to order replacement parts, labels, and accessories, call our Technical Service and Parts Department at (260) 665-7586. The department can also be contacted online at <https://www.vestil.com/page-parts-request.php>.

Electronic copies of Instruction Manuals

Additional copies of this instruction manual may be downloaded from <https://www.vestil.com/page-manuals.php>.

Table of Contents		Page
Specifications.....		2
Signal Words.....		2
Safety Instructions.....		3
Exploded View and Bill of Materials: PRCT-HD.....		3
Exploded View and Bill of Materials: PRCT-HD-30-AB.....		4
Exploded View and Bill of Materials: PRCT-HD-44-AB.....		4
Assembling the Cart.....		5
Loading the Cart.....		6
Record of Satisfactory Condition.....		6
Inspections & Maintenance.....		6
Labeling Diagram.....		6
Limited Warranty.....		7

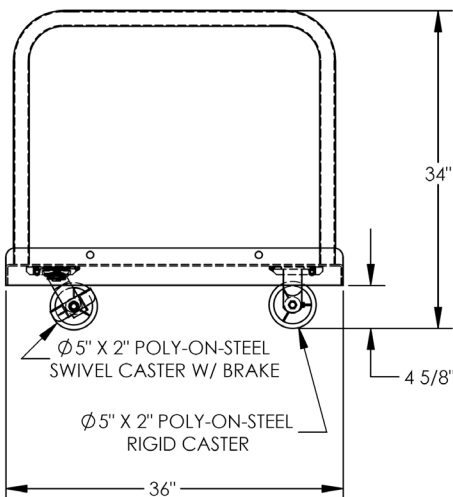
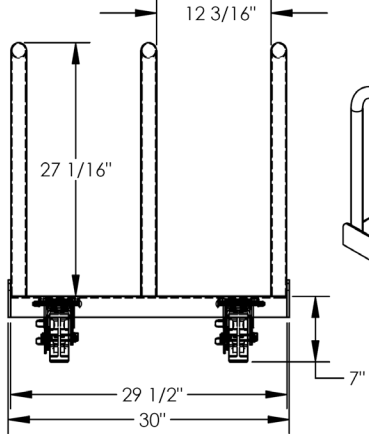
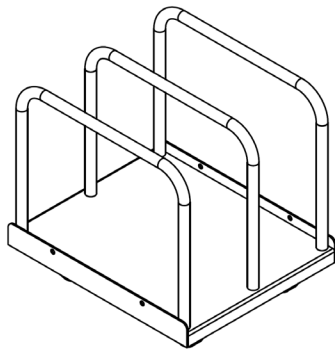
SPECIFICATIONS

Specifications for PRCT-HD-series carts are provided on Vestil's website. To access the appropriate specifications document, navigate to this webpage: <https://www.vestil.com/product.php?FID=969>. Click the "Specifications" tab. Scroll the page to the entry for the model you purchased, and click the button in the PDF column that looks like a pencil inside a blue box. A PDF file will open. This file is the specifications document. Print a copy of the drawing and keep it with your copy of this manual. The following is an exemplar specifications document for model PRCT-HD (16-007-116).

HEAVY-DUTY PANEL CART - PRCT-HD

*** ANY ADDITIONS, DELETIONS, OR OMISSIONS MUST BE CORRECTED ON THIS DRAWING AS THIS DRAWING WILL BE CONSIDERED ALL INCLUSIVE ***
ALL GRAPHICS PROVIDED ARE FOR REFERENCE ONLY. IF CERTAIN DIMENSIONS ARE CRITICAL PLEASE VERIFY THOSE DIMENSIONS WITH YOUR SALESPERSON

APPROX WEIGHT: 160.14 lbs.
DOES NOT INCLUDE WEIGHT OF POWER OR PACKAGING!!!

DIMENSION TOLERANCE ± 1/4"

STANDARD FEATURES

MODEL NUMBER IS PRCT-HD
CAPACITY IS 4,000 LBS. EVENLY DISTRIBUTED
OVERALL WIDTH IS 30"
USABLE WIDTH IS 12 3/16"
OVERALL LENGTH IS 36"
OVERALL HEIGHT IS 34"
DECK SIZE 29 1/2" W X 36" L
(2) SWIVEL CASTERS W/ BRAKE Ø5" X 2" POLY ON STEEL
(2) RIGID CASTERS Ø5" X 2" POLY ON STEEL
SUPPORT RAIL HEIGHT IS 27 1/16"
TOUGH BAKED IN POWDER COATED BLUE FINISH

SPECIAL FEATURES

NONE

APPROVAL

I, THE UNDERSIGNED, AGREE THAT THE PRODUCT AS REPRESENTED SATISFIES DESIGN AND DIMENSION REQUIREMENTS. I ALSO ACKNOWLEDGE MY DUTY TO CONFIRM PRODUCT AND INSTALLATION COMPLIANCE WITH ALL APPLICABLE FEDERAL, STATE AND LOCAL REGULATIONS AND STANDARDS.
ANY MODIFIED UNITS ARE NON-RETURNABLE
[] As drawn [] As marked

Signed: _____ Date: _____

Printed Name: _____

LEAD TIME WILL START UPON RECEIPT OF SIGNED APPROVAL DRAWING

FOR INTERNAL USE ONLY PROJECT SIGN OFF

SALES		DRAWN BY:		DATE:	
ENG.		REFERENCE:	X	SCALE:	1:12
FAB.		QUOTED LEAD TIME:	X	QUOTE #	X
POWER				FILE NAME:	16-007-116

SIGNAL WORDS

This manual uses SIGNAL WORDS to direct the reader's attention to important safety-related messages. These messages describe uses of the product that could result in personal injury or property damage. Each signal word corresponds to a specific hazard level.



DANGER Identifies a hazardous situation which, if not avoided, WILL result in DEATH or SERIOUS INJURY. Use of this signal word is limited to the most extreme situations.



WARNING Identifies a hazardous situation which, if not avoided, COULD result in DEATH or SERIOUS INJURY.



CAUTION Indicates a hazardous situation which, if not avoided, COULD result in MINOR or MODERATE injury.



NOTICE Identifies practices likely to result in product/property damage, such as operation that might damage the product.

SAFETY INSTRUCTIONS

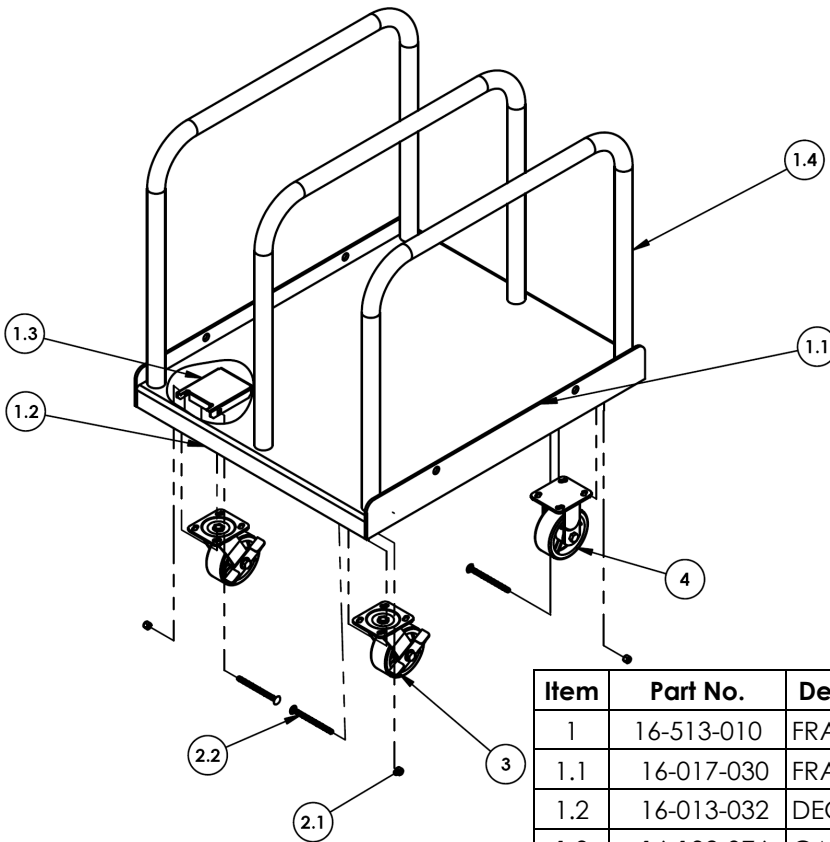
Vestil strives to identify all hazards associated with the use of our products. However, material handling is dangerous and no manual can address every risk. The most effective way to avoid injury is for the end-user to exercise sound judgment whenever using this product.

WARNING

Improper or careless operation might result in serious personal injuries or death.

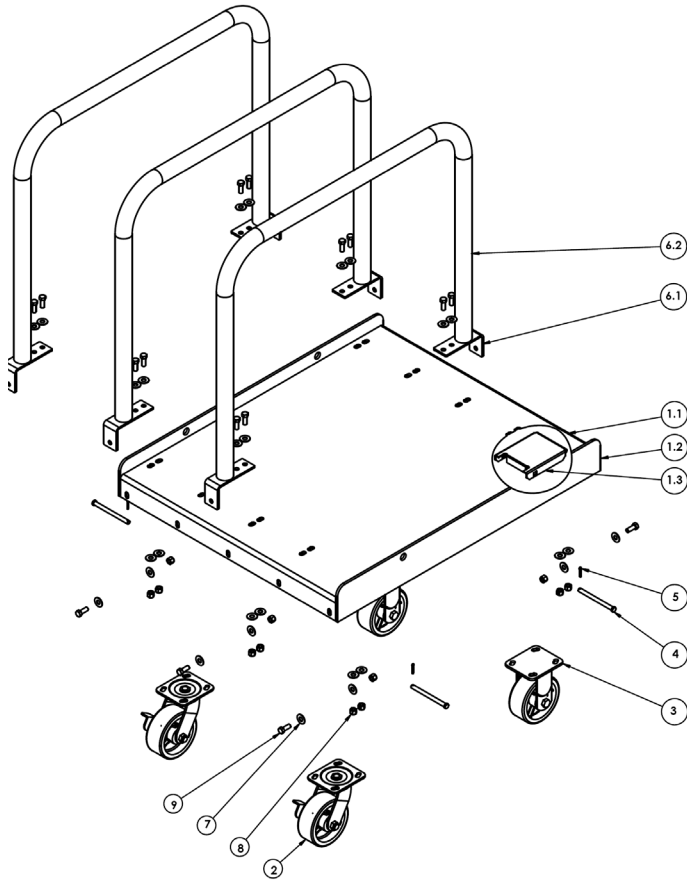
- Read & understand the entire manual before assembling, using, inspecting, or servicing the cart.
- Do not exceed the capacity.
- Pull the cart. Do not push the cart.
- Do center and evenly distribute all loads applied to the cart.
- Only use this cart on level, even ground. Do not use the cart on sloped ground when it is loaded.
- Strap loads to the cart whenever necessary to maintain stability.
- Apply both caster brakes whenever the cart is parked.
- Do not modify the cart. Modifications might make the cart unsafe to use and automatically void the [LIMITED WARRANTY](#) on p. 7.
- Do not use the cart unless all labels are in place, undamaged, and easily readable from a reasonable distance. See [LABELING DIAGRAM](#) on p. 6.

EXPLODED PARTS DIAGRAM AND BILL OF MATERIALS: PRCT-HD (16-001-116)



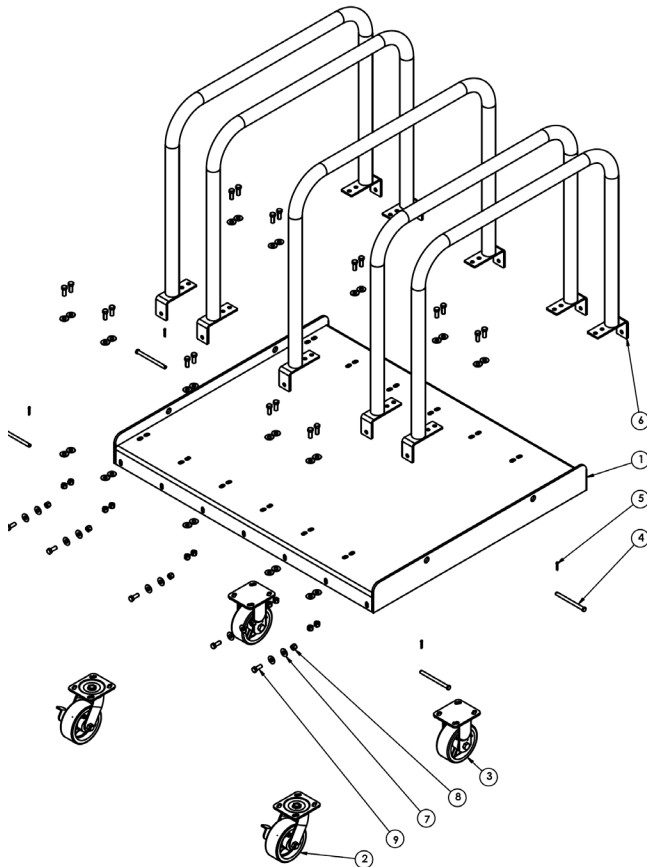
Item	Part No.	Description	Qty.
1	16-513-010	FRAME, DECK SUB-ASSEMBLY	1
1.1	16-017-030	FRAME, BAR, STIFFENER	2
1.2	16-013-032	DECK, FORMED	1
1.3	16-132-076	CASTER, RECEIVER (BULLDOG - 4CP)	4
1.4	16-014-090	FRAME, RAILS, FORMED	3
2	99-612-001	PIN, BULLDOG BOLT AND NUT ASSEMBLY	4
2.1	37024	NYLON INSERT LOCK NUT, GRADE 2, ZINC FINISH, 3/8"-16	1
2.2	21373	CARRIAGE BOLT, GRADE A, ZINC FINISH, 3/8"-16 X 5"	1
3	16-132-053	PU-5/2-S-SWB, SWIVEL CASTER W/BRAKE	2
4	16-132-022	PU-5/2-R, RIGID CASTER	2

EXPLODED PARTS DIAGRAM AND BILL OF MATERIALS: PRCT-HD-30-AB (16-001-525)



Item	Part No.	Description	Qty.
1	16-513-047	WELDMENT, DECK SUB-ASSEMBLY	1
1.1	16-013-165	DECK, FORMED	1
1.2	16-017-030	FRAME, BAR, STIFFENER	2
1.3	16-132-076	CASTER, RECEIVER (BULLDOG - 4CP)	4
2	16-132-053	PU-5/2-S-SWB, SWIVEL CASTER W/BRAKE	2
3	16-132-022	PU-5/2-R, RIGID CASTER	2
4	99-112-006	PIN, CLEVIS	4
5	65076	Ø1/8" X 1" COTTER PIN, Z-PLATED	4
6	16-516-032	WELDMENT, BRACKET AND RAIL	3
6.1	16-016-535	BRACKET, RAIL MOUNT, FORMED	2
6.2	16-014-090	FRAME, RAILS, FORMED	1
7	33008	FLAT WASHER, LOW CARBON, USS, ZINC PLATED, 3/8"	36
8	37024	NYLON INSERT LOCK NUT, GRADE 2, ZINC FINISH, 3/8"-16	18
9	13105	HEX BOLT, GRADE 5, ZINC FINISH, 3/8"-16 X 1"	18

EXPLODED PARTS DIAGRAM AND BILL OF MATERIALS: PRCT-HD-44-AB (16-001-526)

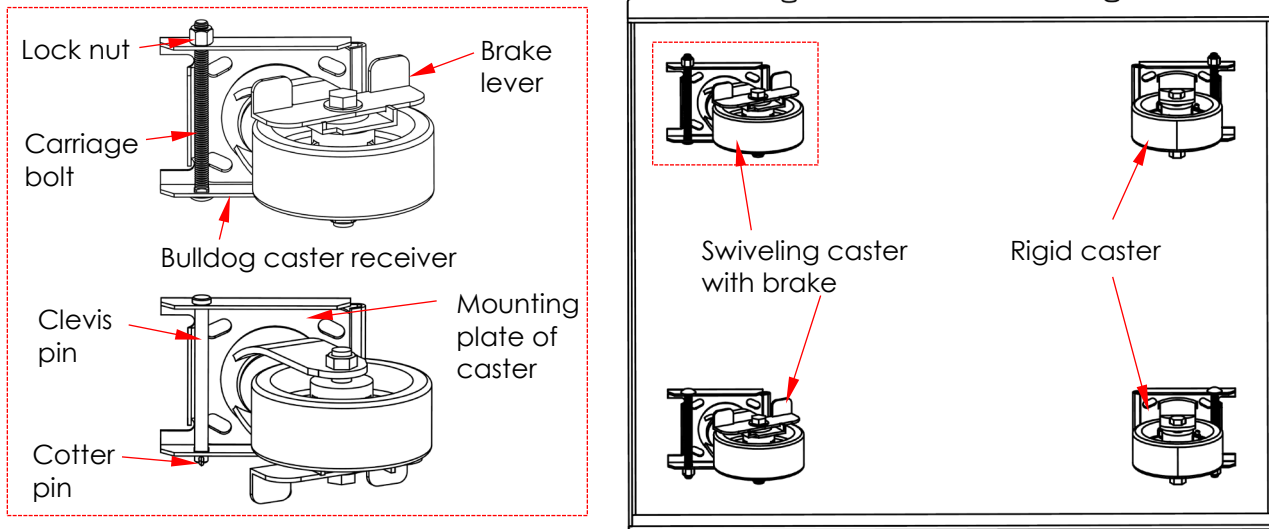


Item	Part No.	Description	Qty.
1	16-513-048	WELDMENT, DECK SUB-ASSEMBLY	1
2	16-132-053	PU-5/2-S-SWB, SWIVEL CASTER W/BRAKE	2
3	16-132-022	PU-5/2-R, RIGID CASTER	2
4	99-112-006	PIN, CLEVIS	4
5	65076	Ø1/8" X 1" COTTER PIN, Z-PLATED	4
6	16-516-032	WELDMENT, BRACKET AND RAIL	5
7	33008	FLAT WASHER, LOW CARBON, USS, ZINC PLATED, 3/8"	60
8	37024	NYLON INSERT LOCK NUT, GRADE 2, ZINC FINISH, 3/8"-16	30
9	13105	HEX BOLT, GRADE 5, ZINC FINISH, 3/8"-16 X 1"	30

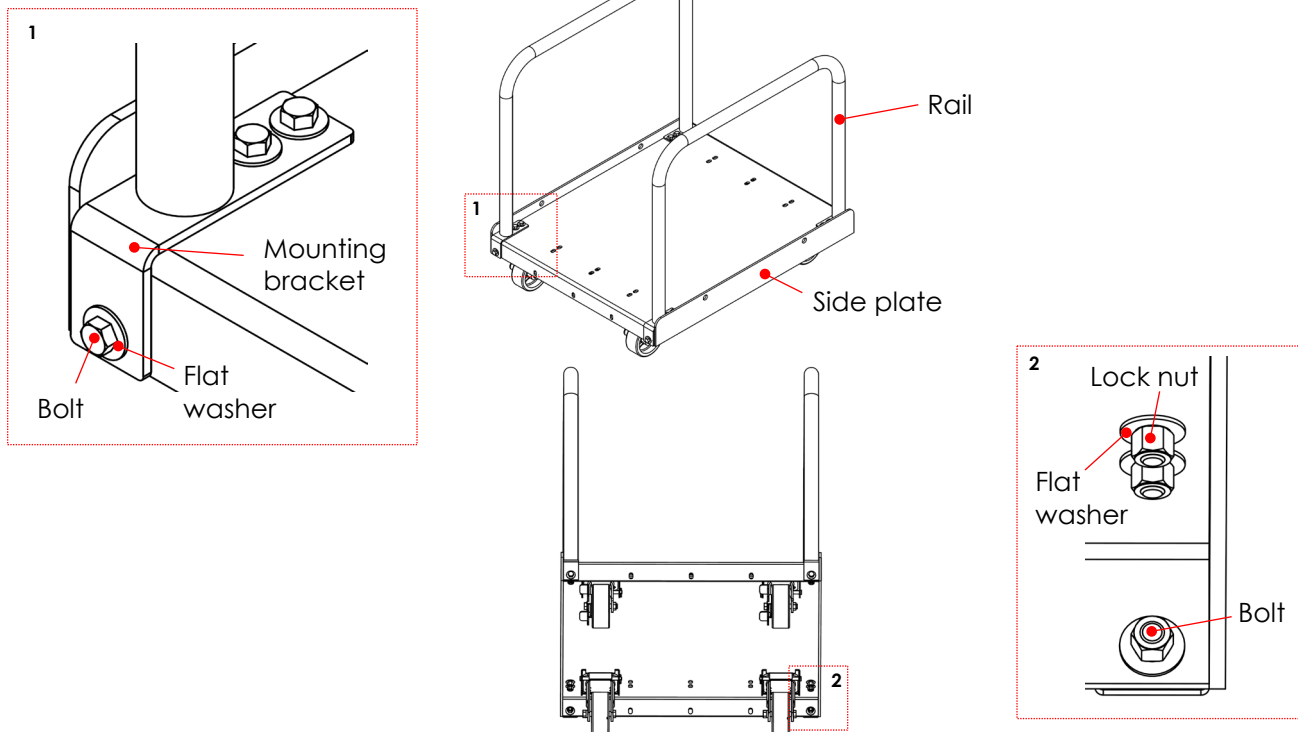
ASSEMBLING THE CART

Numbers in parentheses correspond to part numbers in the bills of materials on p. 3, 4.

STEP 1: Attach casters to the underside of the deck subassembly. There are 2 types of caster included in the hardware kit: 1) Rigid casters (16-132-022); and 2) Swiveling casters with brakes (16-132-053). The applicable exploded view indicates where each caster must be installed. Place the mounting plate of each caster inside a bulldog caster receiver (16-132-076). Secure the casters in place with either a carriage bolt (21373) and lock nut (37024) or a clevis pin (99-112-006) and cotter pin (65076).



STEP 2: [PRCT-HD-30-AB and PRCT-HD-44-AB] Install rails on both sides of the deck next to the side plates. Fasten each rail to the deck using 6 bolts (13105), 12 flat washers (33008), and 6 lock nuts (37024). Slide a flat washer onto each bolt. Feed the bolt through a bolt hole in a mounting bracket. Secure the connection with another flat washer and a lock nut. Attach the remaining rail(s) where necessary for your application. Rail position must allow all loads applied to the cart to be evenly distributed over the surface of the deck.



LOADING THE CART

This cart is designed to carry sheet material. Set sheet material on the deck. Carefully lay it against the supporting frame. Center the material on the deck. If necessary, adjust the location of the material so that it balances. Evenly distribute the load over the deck. Apply both caster brakes on the swiveling casters (16-132-053) whenever the cart is parked. Press down on a brake lever to apply the brake. Lift the lever to release the brake. Push the cart to move it. Do not pull the cart.

RECORD OF SATISFACTORY CONDITION

Before using the cart for the first time, make a record of its appearance and operation. Thoroughly photograph the unit. Include close-range photographs of each label applied to the unit, the attachment points of each rail, the casters and bulldog caster receivers. Collect all photographs and writings into a single file. This file is a record of the unit in satisfactory condition.

INSPECTIONS & MAINTENANCE

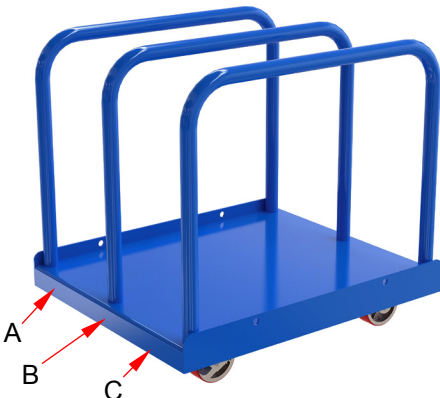
Compare the results of each inspection to the [RECORD OF SATISFACTORY CONDITION](#) to determine whether the unit is in satisfactory condition. DO NOT use the cart unless it is in satisfactory condition. Only use manufacturer-approved replacement parts to restore the unit to satisfactory condition. **DON'T GUESS! If you have any questions about the condition of your unit, contact the [TECHNICAL SERVICE](#) department.** The phone number is provided on the cover page of this manual. Never make temporary repairs of damaged or missing parts. Purely cosmetic changes, such as chipped paint, are not changes from satisfactory condition. However, touchup paint should be applied to all areas where the finish is damaged as soon as the damage occurs because exposed metal rusts. Left unaddressed, rusting could compromise the soundness of the metal and create a safety hazard.

At least once per month:

1. Inspect all rail fasteners and the caster fasteners (pins or nut-and-bolt kits). Confirm that all hardware is in satisfactory condition. Tighten loose connections. Replace loose lock nuts and fasteners that are broken or severely worn.
2. Inspect all 4 casters and the bulldog caster receivers. Replace a caster if its wheel is significantly worn, e.g. does not roll smoothly. Lubricate wheel pivot points as necessary to allow for quiet, uniform rotation. Inspect each caster fork, bearing, axle, wheel hub, mounting plate, and brake lever (swiveling casters only) for damage.
3. Examine the deck and each rail for significant wear, bends, punctures, cracked welds, and other forms of damage. The deck must be rigid and square. Rails must not wobble or lean. If a rail is damaged, contact the factory to order a replacement. If the deck is damaged, it must be replaced.

LABELING DIAGRAM

Label content and location are subject to change so your product might not be labeled exactly as shown. Compare this diagram to the [RECORD OF SATISFACTORY CONDITION](#). Replace all labels that are damaged, missing, or not easily readable (e.g. faded). Order replacement labels by contacting the [TECHNICAL SERVICE AND REPLACEMENT PARTS DEPARTMENT](#) online at http://www.vestilmfg.com/parts_info.htm. Alternatively, you may request replacement parts and/or service by calling (260) 665-7586 and asking the operator to connect you to the Parts Department.



A: Label 1153 – Product data label.

MODEL / MODÉLO / MODÈLE _____
WEIGHT / PESO / MASS _____
CAPACITY / CAPACIDAD / CAPACITÉ _____
SERIAL / SERIE / SÉRIE _____
UNITS: 2.2 lb. = 1kg 1" (or 1in.) = 2.54cm 1153

B: Label 658 – Hazards of improper use

⚠ WARNING	⚠ ADVERTENCIA	⚠ AVERTISSEMENT
Do not operate or move with unstable loads DO NOT LOAD beyond rated capacity DISTRIBUTE LOAD EVENLY DO NOT sit or ride	No use a mueva con cargas inestables No cargue mas de la capacidad tasada DISTRIBUYA LA CARGA A NIVEL NO SE SIENTE o vaya en el carro	Ne pas utiliser avec une charge instable NE PAS CHARGER au-delà du débit nominale DISTRIBUER la charge régulièrement NE PAS VOUS ASSEoir OU VOUS PROMENER sur le chariot

C: Label 212 – Apply caster brakes

⚠ WARNING	⚠ ADVERTENCIA	⚠ AVERTISSEMENT
Immobilize by applying all caster brakes and/or floor locks when in use, loading, and unloading.	Inmovilice aplicando todos los frenos de las ruedas y / o bloques del piso cuando esté en uso, cargando y descargando.	Immobiliser en appliquant tous les freins des roulettes et / ou les verrous de plancher lors de l'utilisation, du chargement et du déchargement.

LIMITED WARRANTY

Vestil Manufacturing Corporation ("Vestil") warrants this product to be free of defects in material and workmanship during the warranty period. Our warranty obligation is to provide a replacement for a defective, original part covered by the warranty after we receive a proper request from the Warrantee (you) for warranty service.

Who may request service?

Only a warrantee may request service. You are a warrantee if you purchased the product from Vestil or from an authorized distributor AND Vestil has been fully paid.

Definition of "original part"?

An original part is a part used to make the product as shipped to the Warrantee.

What is a "proper request"?

A request for warranty service is proper if Vestil receives: 1) a photocopy of the Customer Invoice that displays the shipping date; AND 2) a written request for warranty service including your name and phone number. Send requests by one of the following methods:

<u>US Mail</u>	<u>Fax</u>	<u>Email</u>
Vestil Manufacturing Corporation 2999 North Wayne Street, PO Box 507 Angola, IN 46703	(260) 665-1339 <u>Phone</u> (260) 665-7586	info@vestil.com Enter "Warranty service request" in the subject field.

In the written request, list the parts believed to be defective and include the address where replacements should be delivered. After Vestil receives your request for warranty service, an authorized representative will contact you to determine whether your claim is covered by the warranty. Before providing warranty service, Vestil will require you to send the entire product, or just the defective part (or parts), to its facility in Angola, IN.

What is covered under the warranty?

The warranty covers defects in the following original, dynamic parts: motors, hydraulic pumps, motor controllers, and cylinders. It also covers defects in original parts that wear under normal usage conditions ("wearing parts"), such as bearings, hoses, wheels, seals, brushes, and batteries.

How long is the warranty period?

The warranty period for original dynamic components is 1 year. For wearing parts, the warranty period is 90 days. Both warranty periods begin on the date Vestil ships the product to the Warrantee. If the product was purchased from an authorized distributor, the periods begin when the distributor ships the product. Vestil may, at its sole discretion, extend a warranty period for products shipped from authorized distributors by up to 30 days to account for shipping time.

If a defective part is covered by the warranty, what will Vestil do to correct the problem?

Vestil will provide an appropriate replacement for any covered part. An authorized representative of Vestil will contact you to discuss your claim.

What is not covered by the warranty?

The Warrantee (you) is responsible for paying labor costs and freight costs to return the product to Vestil for warranty service.

Events that automatically void this Limited Warranty.

- Misuse;
- Negligent assembly, installation, operation or repair;
- Installation/use in corrosive environments;
- Inadequate or improper maintenance;
- Damage sustained during shipping;
- Collisions or other accidents that damage the product;
- Unauthorized modifications: Do not modify the product IN ANY WAY without first receiving written authorization from Vestil.

Do any other warranties apply to the product?

Vestil Manufacturing Corp. makes no other express warranties. All implied warranties are disclaimed to the extent allowed by law. Any implied warranty not disclaimed is limited in scope to the terms of this Limited Warranty. Vestil makes no warranty or representation that this product complies with any state or local design, performance, or safety code or standard. Noncompliance with any such code or standard is not a defect in material or workmanship.

